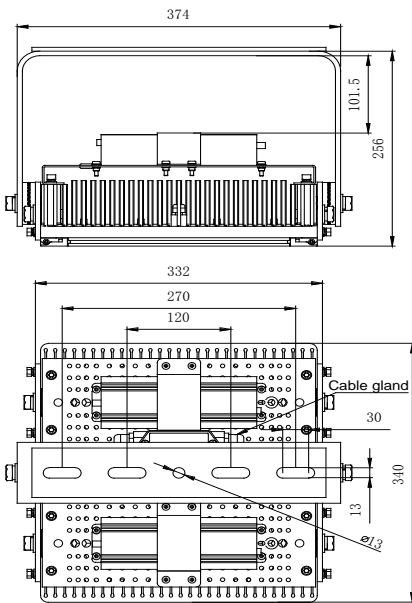
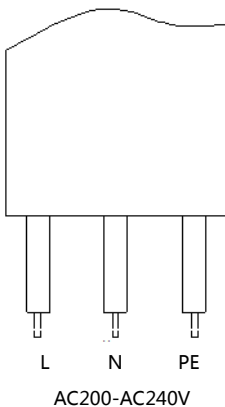




LF23XX mounting dimension (unit: mm)



Wiring diagram



Application


Application

Designed for the indoor or outdoor lighting for the ports, mines, squares and large buildings.

Major functions and features

- Excellent shockproof and corrosion resistance
- Forging aluminum body, superb heat emission
- IP65
- 12° interval adjustable bracket
- Lead wire
- Various beam angle for option
- Integrated module design with optical lens for light distribution
- Light weight and high duty structure design
- Comes with safety chain to ensure the safety protection
- High performance and reliable world leading brand LED chips and LED drivers
- Self-design for optics, electrical, thermal, structure and patent

Specifications

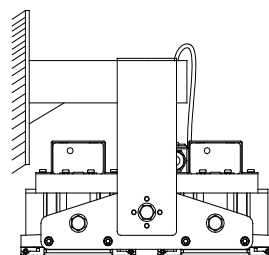
Voltage	AC200V~AC240V	Frequency	50Hz~60Hz
Power	300W	Flux	Cold white : 33000 lm Warm white : 28500 lm
CCT	Cold white : 5500K-6000K Warm white : 2700K-3000K	LED lifetime	≥50000hrs
		PF	>0.9
Light efficacy	Cold white ≥ 110 lm/w Warm white ≥ 95 lm/w	CRI	Cold white : Ra=75
Beam angle	15°/25°/60° for option		Warm white : Ra=80
IP Class	IP65	Humidity	10% ~ 95% (no coagulation)
Vibration level	5G	Temperature	-30°C ~ +60°C(Thermal protection)
Material	Body: Aluminum	Salt Spray level	ISO9227 720H
	Lens: Tempered glass		

Installation

- Secure the luminaire with M12 screws on a smooth surface which has enough strength .
- Fix the safety chain at the appropriate place where has enough mechanical strength.
- Correctly connect the lead wire to L, N PE of the power supply.
- Power it on to work.
- The power cable for the luminaire should be at least 16AWG 3 cores cable.
- No special requirement for the installation height of the luminaire.

Notice

- For high-power lamp , the surface temperature is high, it cannot be covered. And the distance from the object no less than 3m, to avoid burns or fire.
- Temperature rise when light working is normal phenomenon.
- Make sure there are more than 3m between light and lighted objects to avoid fire.
- Do not cover light with any object.
- Replacement and maintenance should be processed by professionals and after power off.

Suggested installation method :

Incorrect installation method :
