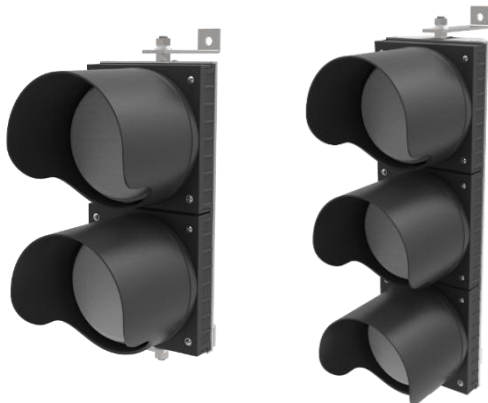


ABC3Pro Trolley Line Indicator



2-light combination

3-light combination

Products description and application

This product is used to indicate the conductor power, specially designed for overhead crane, gantry cranes etc.

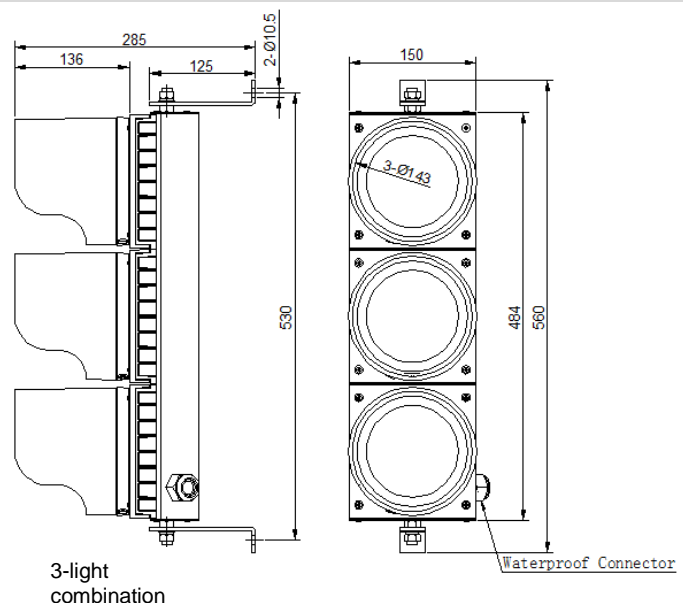
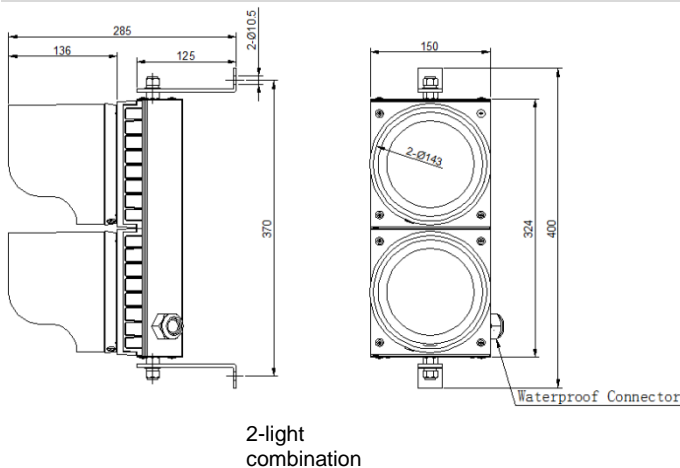
Features

- Aluminum enclosure with powder coat paint finishes, durable and reliable, corrosion resistant, light weight.
- LED light source, long life time.
- Multiple seals with silicone rubber, high ingress protection grade.
- Easy to mount, lamp numbers and colors are flexible combination.

Specifications

Electrical		Mechanical	
Input voltage	DV24V/AC110V/AC220V/AC380V/AC460V	Operating temperature	Ta-30°C ~ +70°C
Frequency	50Hz~60Hz	Ambient humidity	10% ~ 95%RH (no condensation)
Visible distance	> 300m	IP rate	IP65
Operating mode	Steady burning (Flash can be customized)	Material	Aluminum alloy + Plastic (optional)
Light color	Red, Yellow, Green, Blue (optional)	Mount type	Horizontal mount / Vertical mount
LEDs lifetime	100,000h	Weight	2-light combination: 3.9Kg 3-light combination: 5.6Kg
Wiring	Y type connection		

Mounting dimensions



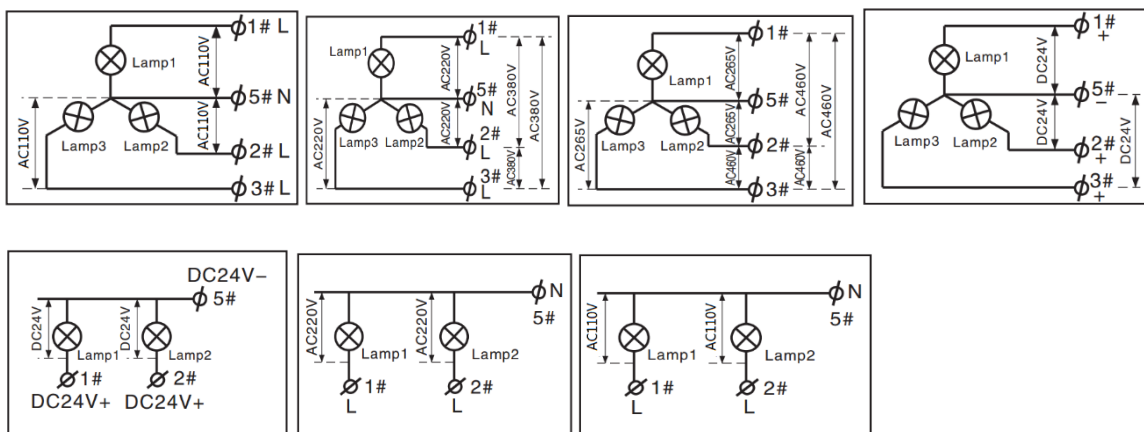
ABC3Pro Trolley Line Indicator



Installation and operation

- Ensure that the input voltage is correct.
- Fix product to mount face by using four nos. M10 screws (not provided), ensure mount face is flat and has enough mechanical strength.
- Remove 4 nos. screws on enclosure to open the product, refer wiring connection diagram to connect wires to terminal blocks, close the product and fix the screws after wiring.
- Ensure cable connection is correct before power on.

Wiring diagram



Cautions

- Ensure wire connection is correct before power on.
- It is normal phenomenon that the lighting surface temperature rising while it is operating.
- Do not open product while it is operating.
- Product is sealed structure, warranty is terminated if unauthorized people maintain the product.
- Read this instruction completely and carefully.

How to Order

P/N	Voltage	Lights	Light color	Wiring	Mount
1000301-004	DC24V	Two lights combination	Red + Green	M20*1.5 cable gland	Vertical mount
1000301-005	AC220V	Two lights combination	Red + Green	M20*1.5 cable gland	Vertical mount
1000301-006	AC220V/ AC380V	Three lights combination	Red + Yellow + Green	M20*1.5 cable gland	Vertical mount
1000301-007	AC220V	Two lights combination	Red X + Green arrow	M20*1.5 cable gland	Vertical mount
1000301-008	DC24V	Three lights combination	Yellow + Green + Red	M20*1.5 cable gland	Vertical mount

Thanks for choosing our products, NANHUA Electronics is the professional brand of signal transmission and high quality industrial lighting which is trusted and loved by global users from various industries. Read and understand these instructions completely and carefully. Wrong installation and operation may lead to fires, electric shock, and others. Due to our continued efforts to improve our products, product specifications are subject to change without notice.

©NANHUA Electronics Co., Ltd. All rights reserved. www.nanhua.com