



Products description and applicaiton

Apply to the offshore helideck for cicle H light(including moving platform and permanent platform,

Suitable for offshore oil platform, and any other hazardours areas or vessel's helideck,

Certified to explosive gas atmosphere zone 1 and zone 2 area,


Certified to explosive gas atmosphere IIA / IIB / IIC area,

Suitable for T1-T6 temperature class.



Features

- o Stainless steel 316 light housing, with corrosion and vibration resistant features, IP protection can be IP67, suitable for hazardous outdoor environment.
- o Professional photometric design, use the high and low temperature resistant PC lens to make sure can be long term photometric qualified.
- o Engineering plastics light cover, operation temperature can be -50°C, with 4J shock resistance, hot and cold upheaval resistance and 3Mpastatic pressure qualified features.
- o Lamp is using LED light source, design with professional heat simulation software to make sure the chips' temperature will lower than 85°C when operation to make sure the stable light illuminations.
- o With Dimming function, can use the PWM or RS485(0-100)to be stepless dimming to avoid light dazzle when pilot approaching.

Certificate	EETI	TÜV Rheinland (0035)	TÜV Rheinland (0035)
Issued by	EETI17.1001	IECEX TUR 17.0006	TÜV 17 ATEX 8000
Certification No			
Standard	GB3836.1-2010 GB3836.3-2010 GB3836.4-2010 GB3836.9-2014 CAP437 Edition 8 ICAO Annex 14 Offshore moving helideck classification standard-2016 GD22-2015	IEC 60079-0:2011 IEC 60079-7:2015 IEC 60079-11:2011 IEC 60079-18:2014 IEC 60598-2013	EN 60079-0:2012 EN 60079-7:2015 EN 60079-11:2012 EN 60079-18:2015
Marking	Ex eb ib mb IIC T6 Gb	Ex eb ib mb IIC T6 Gb	 II 2G Ex eb ib mb IIC T6

LP4Circle-H Helideck Light



(-50°C ≤ Ta ≤ +60°C)

Gb

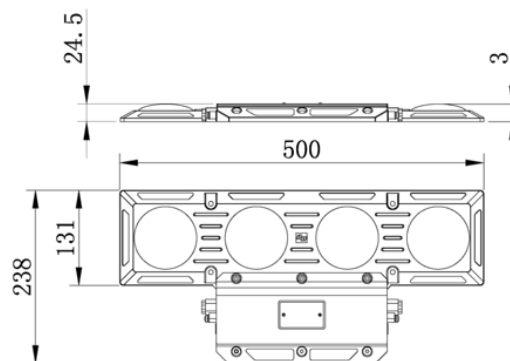
(-50°C ≤ Ta ≤ +60°C)

Electrical		Mechanical	
Rated Voltage	DC24V	Housing material	Stainless steel 316
Rated power consumption	<2W	Light cover	PC
Lamp source	LED	Humidity	10%~95%RH
Lightning surge	GD22-2015 L-L 0.5kV	Operating temperature	Ta-50°C ~ +60°C
	GD22-2015 L-G 1kV	IP rate	IP67
Electrostatic discharge	GD22-2015 air discharge 8kV	Weight	4.8 kg
	GD22-2015 contact discharge 6kV	House color	Yellow/White
EMC	GD22-2015	Cable gland	Suitable for cable Ø8~Ø10mm ² , and ≤1.5mm ² lead wire reliable connected

Photometric		Work mode	
Intensity	20cd~45cd	Steady burning	
Vertical beam angle	90°	Horizon beam angle	360°
Light color	Green/Yellow		

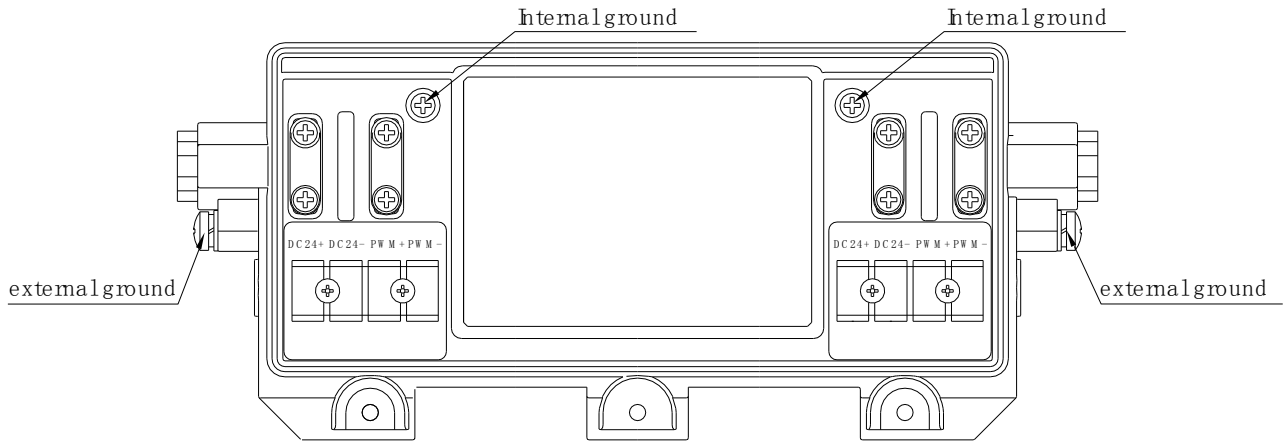
Mounting dimensions

Unit: mm



Wiring diagram

LP4Circle-H Helideck Light



How to Order

P/N	Model	Rated voltage	Rated power	Light color	Applied area
-----	-------	---------------	-------------	-------------	--------------

Model definition

LP	4	1	1 2	A B	
Explosion proof	S/N	DC24V	[1]Green [2]Yellow	[A]Surface mounting [B]Bracket mounting	

Thanks for choosing our products, NANHUA Electronics is the professional brand of signal transmission and high quality industrial lighting which is trusted and loved by global users from various industries.

Read and understand these instructions completely and carefully. Wrong installation and operation may lead to fires, electric shock, and others. Due to our continued efforts to improve our products, product specifications are subject to change without