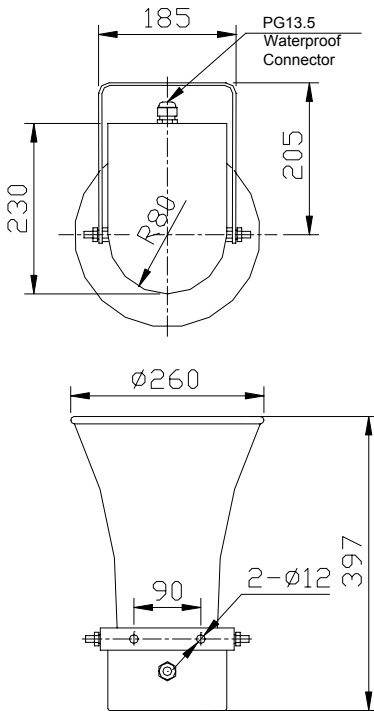
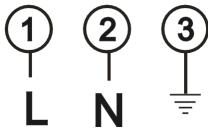




Mounting dimension (Unit:mm)



Wiring diagram



Application



Applications

Specially design for all kinds of hoisting machinery (tyre crane, crawler crane,overhead traveling cranes, etc.), harbors machinery(gantry cranes, bridge crane, etc).

Main Functions and features

- Aluminum alloy shell, silver sprays technology trumpet, waterproof and corrosion resistance.
- Clear and distinct sound quality and powerful performance.
- Output power : 30W.
- Easy control, alarm can be realized as long as power connected.
- Flexible installation, various environment application.
- Reliable, stable.
- Trumpet structure, long distance of sound transmission.

Specifications

Operating voltage	AC220V/DC24V (other voltage can be customized)	Frequency	50Hz~60Hz
Tone	A/B/E/D/Y/L/speech (special tone or speech can be customized)	Power	30W
Horn impedance	8Ω	Sound level	108dB
Operating temperature:	-30°C ~ +70°C	IP Protection	IP65
Relative humidity	10% ~ 95% (no condensing)	Weight	5.0kg
Material	Aluminum alloy		

Installation and Operation

- Check whether the operating voltage complies with the rated voltage of the siren.
- Secure the alarm body on a smooth surface with enough mechanical strength using M12 stainless steel screws. Mounting surface should be in a line with the axes of lamp body.
- The speaker head must be downside, at least keep the axes wire and horizontal line in parallel to avoid the stay of the water in the speaker.
- Connect the power to the speaker terminals, speaker will start sound.
- Volume potentiometer adjustable.

Notice

- Please read the instruction manual carefully before operation.
- Ensure that the power connection part is correct.
- If there are any questions when, please contact us.