

LR07 Spreader Indicator data sheet



Products description and application

High power LED is selected as the light source, and the lampshade with high transmittance material is adopted. The lamp holder is made of nylon and glass fiber material. Suitable for assistance of hoisting machinery and signal indication of industrial sites. Suitable for assistance of hoisting machinery and signal indication of industrial sites.



Features

- High power LED light source has the advantages of energy saving, strong impact resistance, free maintenance etc. The mature constant current technology is used to improve the reliability and stability.
- Lamp base is composed of nylon plus fiberglass, its major feature is light weight, high strength, aging-resistance, sealed construction, waterproof and dust proof.
- Imported high- power LED as light source with features of energy conservation, shock resistance, maintenance- free. Use mature constant current technology to increase reliability and stability.
- Integrated housing using high light transmission material together with optical processing technology to improve light efficiency.
- Provide wiring of M12- 4P standard aviation plug or built- in outgoing line.
- Flexible combination: provide different kinds of installation methods to satisfy different application sites, mounting bracket's angle is adjustable from 0° to 180°.

General Specifications

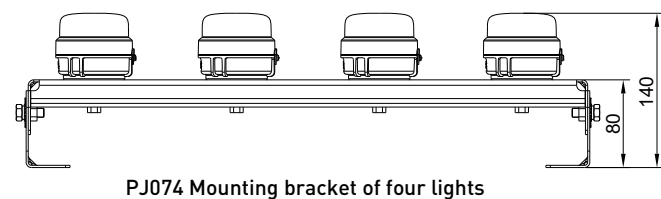
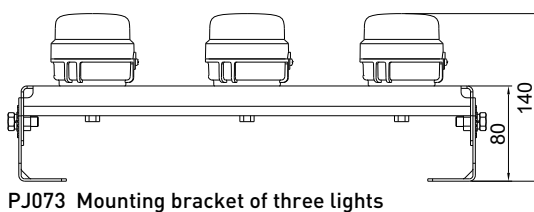
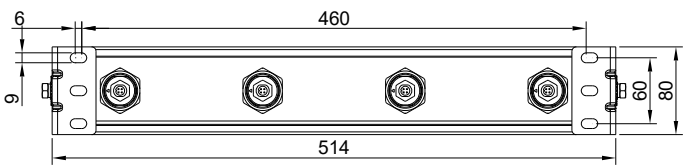
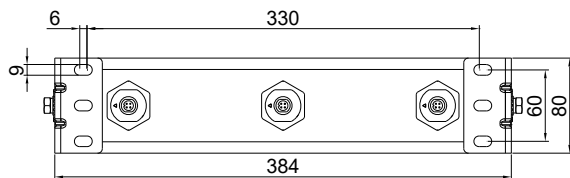
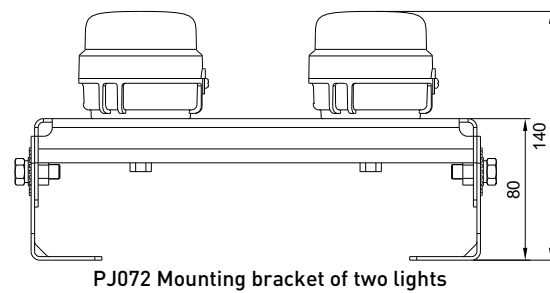
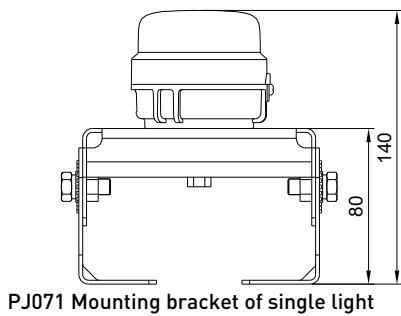
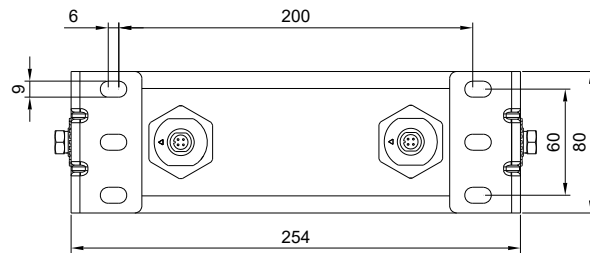
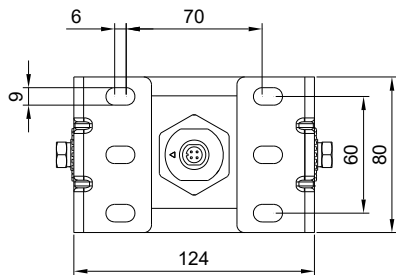
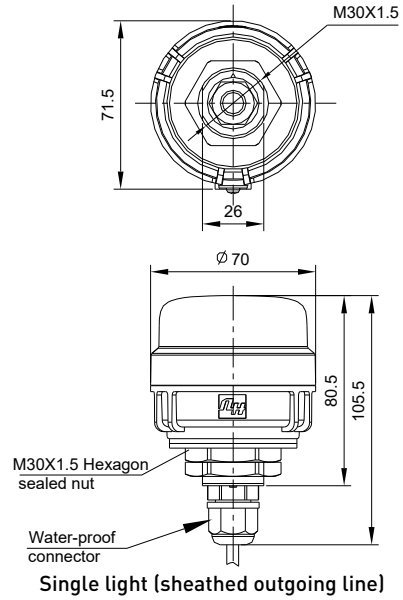
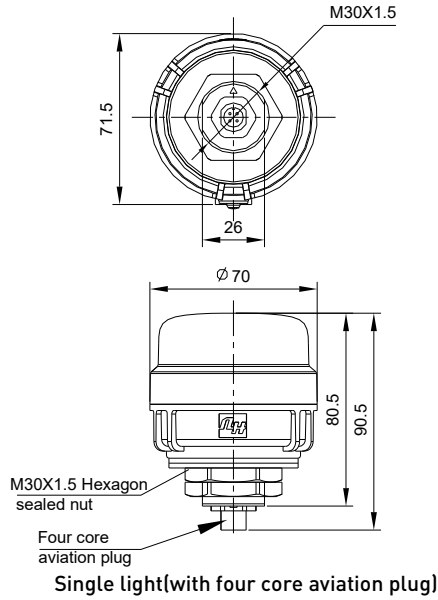
Electricity specifications		Mechanical Specifications	
Operating voltage	DC18V~32V/AC100V~AC265V(can be customized)	Housing material	Base: PA6+15%GF Cover: PC Mounting Bracket: SUS304
Power frequency	50Hz~60Hz	Operating temperature	Ta-40 °C ~ +70 °C
Rated Power consumption	≤5W	Operating Humidity	10%~95%RH
Connection mode	Built- in outgoing line/ aviation plug (AC100V~AC265V and above is not suitable for aviation plug)	IP Rate	IP66
		Net Weight	0.16kg
Optical specifications			
Alarm mode	Flash/steady burning		
Lamp source	LED		
Light Color	Red, yellow, green, blue, white (for choice)		
Visible range	>300m		
LED lifespan	≥100,000h		
Dimmer mode	DC18V~32V support PWM dimming		

LR07 Spreader Indicator data sheet

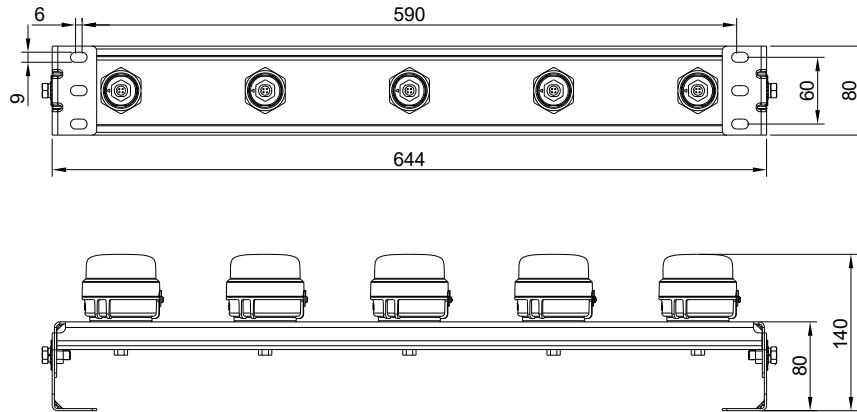


Mounting dimensions

Unit : mm

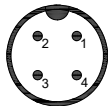



LR07 Spreader Indicator data sheet



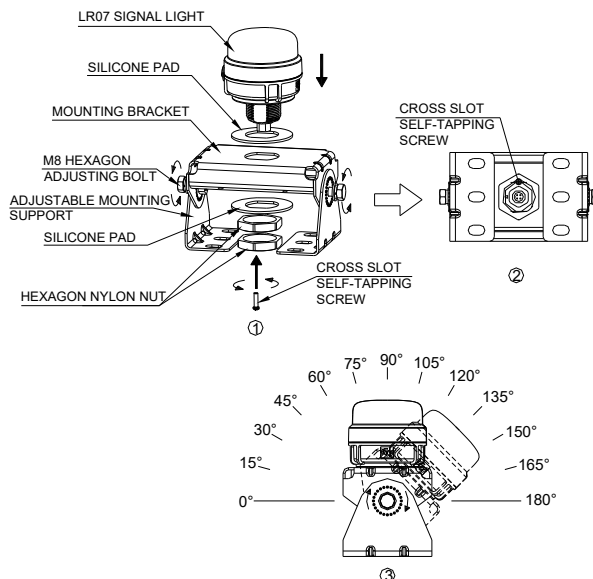
PJ075 Mounting bracket of five lights

Wiring diagram

Voltage	PWM diming	Wiring Method	Wiring definition
AC100V~AC265V	NO	Built in lead wire Three core cable 3X0.5mm ²	Red Line—L Black Line—N Yellow- green line —PE
DC18V~DC32V	NO	Built in lead wire Three core cable 3X0.5mm ²	Red line—DC+ Black Line—DC- 3—DC- 4—DC+
		Plug(Front view pin diagram)	
	YES	Built in lead wire Three core cable 3X0.5mm ²	Red line—DC+ Black line—DC- Blue line—PWM 2—PWM 3—DC- 4—DC+
		Plug(Front view pin diagram)	

Installation and operation

- Make sure the power supply can match the rated power of light before connecting.
- Single light using M30X1.5 Nylon nut fixed with the mounting surface.
- Combination light's mounting bracket using 4 M8 screw with spring washer and plain washer to fix with the mounting surface. The mounting surface should be flat and with enough mechanical strength.
- Connect the power line according to the signal definition chart of the lead wire.
- Check again before connect to the power, the corresponding light will be lit when the power is on.



Mounting dimension of adjustable mounting bracket (single light)

- Put LR07 with silicone pad into the hole of the mounting bracket, different color's display order can be adjusted according to the application on site (procedure ①).
- Tightening 2 hexagon M30X1.5 nylon nuts clockwise from the back of the mounting bracket to fix the signal light (can not be loose) (procedure ①).
- After fixing the signal light, use a cross slot self- tapping screw at the joint of nut and base to prevent backsliding (procedure ②).
- Use 4 hexagon M8 bolts with spring washer and plain washer to fix the adjustable mounting support (both sides) with the mounting surface.
- Slightly loose the M8 hexagon adjusting bolts on both sides counter clock wisely. According to the application on site, the angle can be adjusted from 0°~ 180°, 15° per grid (procedure ③).
- After adjusting the angle, tightening the M8 hexagon adjusting bolts on both sides clock wisely with no loose (procedure ③).
- Finally, connect the power line according to Wiring diagram, the light will be lit when the power is on.

LR07 Spreader Indicator data sheet



How to Order						
Product code	Product type	Voltage type	Dimmer way	Warning mode	Emitting color	Wiring method
1000252-2520CG	LR07	AC110V-265V	Without PWM diming	Steady burning	green	PG9 cable Waterproof nylon joint ,with 8M lead wire
1000252-2520CY	LR07	AC110V-265V	Without PWM diming	Steady burning	yellow	PG9 cable Waterproof nylon joint ,with 8M lead wire
1000252-2520CB	LR07	AC110V-265V	Without PWM diming	Steady burning	blue	PG9 cable Waterproof nylon joint ,with 8M lead wire
1000252-2520CW	LR07	AC110V-265V	Without PWM diming	Steady burning	white	PG9 cable Waterproof nylon joint ,with 8M lead wire
1000252-25202R	LR07	AC110V-265V	Without PWM diming	flashing	red	PG9 cable Waterproof nylon joint ,with 8M lead wire
1000252-25202G	LR07	AC110V-265V	Without PWM diming	flashing	green	PG9 cable Waterproof nylon joint ,with 8M lead wire
1000252-25202Y	LR07	AC110V-265V	Without PWM diming	flashing	yellow	PG9 cable Waterproof nylon joint ,with 8M lead wire
1000252-25202B	LR07	AC110V-265V	Without PWM diming	flashing	blue	PG9 cable Waterproof nylon joint ,with 8M lead wire
1000252-25202W	LR07	AC110V-265V	Without PWM diming	flashing	white	PG9 cable Waterproof nylon joint ,with 8M lead wire
1000252-2521SR	LR07	DC18V-32V	Without PWM diming	Steady burning	red	four core aviation plug
1000252-001	LR07	DC18V-32V	Without PWM diming	Steady burning	red	PG9 cable Waterproof nylon joint ,with 8M lead wire
1000252-2521CR	LR07	DC18V-32V	Without PWM diming	Steady burning	red	PG9 cable Waterproof nylon joint ,with 8M lead wire
1000252-2521SG	LR07	DC18V-32V	Without PWM diming	Steady burning	green	four core aviation plug
1000252-002	LR07	DC18V-32V	Without PWM diming	Steady burning	green	PG9 cable Waterproof nylon joint ,with 8M lead wire
1000252-2521CG	LR07	DC18V-32V	Without PWM diming	Steady burning	green	PG9 cable Waterproof nylon joint ,with 8M lead wire
1000252-2521SY	LR07	DC18V-32V	Without PWM diming	Steady burning	yellow	four core aviation plug
1000252-003	LR07	DC18V-32V	Without PWM diming	Steady burning	yellow	PG9 cable Waterproof nylon joint ,with 8M lead wire
1000252-2521CY	LR07	DC18V-32V	Without PWM diming	Steady burning	yellow	PG9 cable Waterproof nylon joint ,with 8M lead wire
1000252-2521SB	LR07	DC18V-32V	Without PWM diming	Steady burning	blue	four core aviation plug
1000252-2521CB	LR07	DC18V-32V	Without PWM diming	Steady burning	blue	PG9 cable Waterproof nylon joint ,with 8M lead wire
1000252-020	LR07	DC18V-32V	Without PWM diming	Steady burning	white	four core aviation plug
1000252-2521CW	LR07	DC18V-32V	Without PWM diming	Steady burning	white	PG9 cable Waterproof nylon joint ,with 8M lead wire
1000252-25211R	LR07	DC18V-32V	Without PWM diming	flashing	red	four core aviation plug
1000252-25212R	LR07	DC18V-32V	Without PWM diming	flashing	red	PG9 cable Waterproof nylon joint ,with 8M lead wire
1000252-25211G	LR07	DC18V-32V	Without PWM diming	flashing	green	four core aviation plug
1000252-25212G	LR07	DC18V-32V	Without PWM diming	flashing	green	PG9 cable Waterproof nylon joint ,with 8M lead wire
1000252-25211Y	LR07	DC18V-32V	Without PWM diming	flashing	yellow	four core aviation plug
1000252-25212Y	LR07	DC18V-32V	Without PWM diming	flashing	yellow	PG9 cable Waterproof nylon joint ,with 8M lead wire
1000252-25211B	LR07	DC18V-32V	Without PWM diming	flashing	blue	four core aviation plug
1000252-25212B	LR07	DC18V-32V	Without PWM diming	flashing	blue	PG9 cable Waterproof nylon joint ,with 8M lead wire
1000252-25211W	LR07	DC18V-32V	Without PWM diming	flashing	white	four core aviation plug
1000252-25212W	LR07	DC18V-32V	Without PWM diming	flashing	white	PG9 cable Waterproof nylon joint ,with 8M lead wire

LR07 Spreader Indicator data sheet



Notice

- The main parts of products are using PC material(like lamp cover and lamp shell), so it cannot direct or indirect touch the organic solvent, such as industrial alcohol, banana oil, isotropic alcohol, carbon tetra chloride, cyclone and so on, otherwise, the product will be corrosion.
- Please read the instructions carefully and use the product correctly.
- DO NOT reverse the polarity of the power supply during installation and usage.
- Please contact us if you have any problem during usage.

Thanks for choosing our products, NANHUA Electronics is the professional brand of signal transmission and high quality industrial lighting which is trusted and loved by global users from various industries. Read and understand these instructions completely and carefully. Wrong installation and operation may lead to fires, electric shock, and others. Due to our continued efforts to improve our products, product specifications are subject to change without notice.

©NANHUA Electronics Co., Ltd. All rights reserved.www.nanhua.com