

LW23 LED Work Light



Products description and application

LW23 series LED work lights adopt mining machinery lighting technology. Product has features of long lifetime, safety operation, maintenance free by using brand high power LED light source, suit for the application of mining machinery (mining truck, grader, drill rig, excavators, etc.), metallurgy, ocean vessels and so on. Standard: GB7000.1/GB2423/DIN40050/GB4208



Features

- Mining lighting technology. Product uses reliable and high efficient LED light source, has the advantages of high brightness, long lifetime, energy saving and environment friendly.
- Aluminum housing structure design with special surface finish treatment. Product has excellent heat dissipation ability, good anti-vibration capacity, long time stable operating.
- Product has sealed structure, water proof, corrosion and vibration resistant, impact resistant.
- Adjustable mount bracket, range from 60° to 140°. Built-in connector, easy to connect wires.
- Wide input voltage range, over voltage protection. Product operates more stable by using constant current design.
- Complies with EN 55015/ CISPR 15, avoid interference.
- Complies with IEC6100, Lightning surge 0.5KV, Electrostatic discharge 8KV.

General Specifications

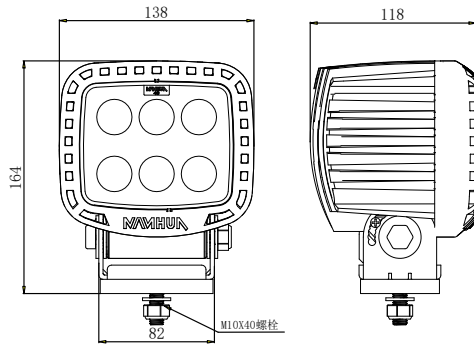
| Electrical | | Mechanical | |
|-------------------------|-------------------------------|--------------------------|--|
| Rated voltage | 18-32VDC /200~240VAC | Body material | Aluminum |
| Rated power consumption | 18W 35W 48W 60W | Cover material | PC |
| Lightning surge | GB/T 17626.5-2008 ±500V | Operating temperature | Ta -40 °C ~+85 °C(DC) Ta -40 °C ~+50 °C(AC) |
| Electrostatic discharge | GB/T 17626.2-2006 ±8KV | IP rate | IEC60529 IP68/IP69K |
| EMC | EN 55015/ CISPR 15 | Anti-vibration | IEC60528 20G |
| Connect | Lead wire / Connector | Anti-shock | IEC60528 60G |
| | | IK rate | IK08 |
| | | Anti-corrosion | ISO9227 720H / C5-M |
| | | Body color | Black |
| | | Weight | 2.5kg |
| | | Mount | M10 stainless steel bolt |
| Photometric | | | |
| LEDs lifetime | ≥50000h | | |
| Color temperature | Cold white: 5700K | Warm white: 2700K | |
| Lumens | Cold white: 2550lm (18W) | Warm white: 1960lm (18W) | |
| | 4150lm (35W) | 2800lm(35W) | |
| | 4500lm (48W) | 3400lm(48W) | |
| | 4800lm (60W) | 4500lm (60W) | |
| Beam angle | Lower beam 40°/ High beam 15° | | |

LW23 LED Work Light

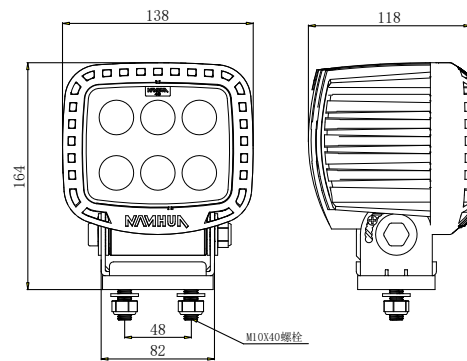


Mounting dimensions

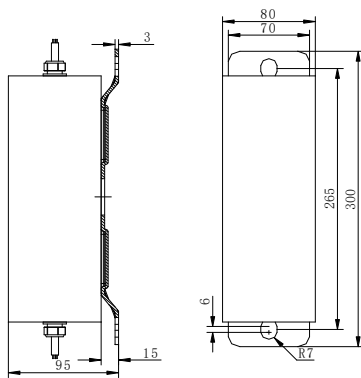
Unit: mm



Mount type 1



Mount type 2

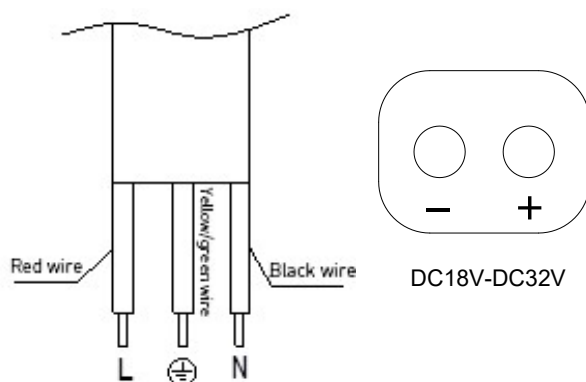


Power box

Installation and operation

- Ensure that the input voltage is correct.
- Fix product to mount face by using M10 screws, ensure mount surface is flat and has enough mechanical strength. Adjustable mount bracket, range from 60° to 140°.
- Product has built-in Deutsch connector, connect foot 1 to positive, foot 2 to negative

Wiring diagram



AC220V-AC240V

Caution

- Do not reverse connection positive and negative.
- Add an external connection 5A fuse to protect the line.
- Fix mount bracket well before start to use.
- It is normal phenomenon that the lighting surface temperature rising while it is operating.
- Risk of corrosion. Housing material is polycarbonate, not allowed to direct or indirect contact with industrial spirit, banana oil, isopropanol, carbon tetrachloride, cyclohexene, etc organic solvent.

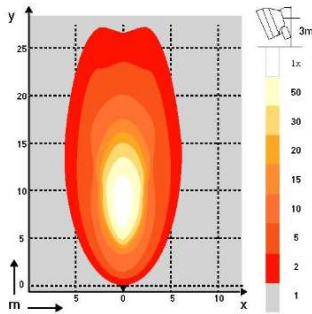
LW23 LED Work Light



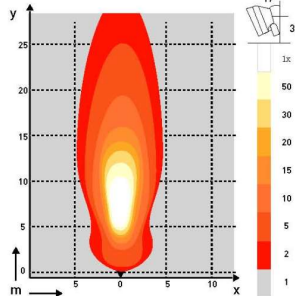
Light distribution pattern

15° beam angle

LW23-2700K

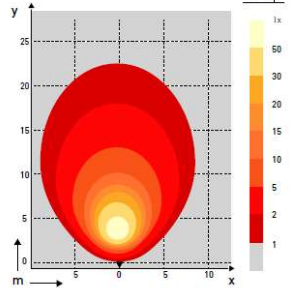


LW23-5700K-

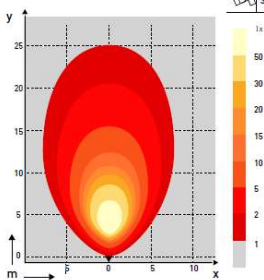


40° beam angle

LW23-2700K



LW23-5700K



How to Order

| P/N | Model | Power | Voltage | Color temperature | Beam angle | Wiring | Mount |
|-------------|-------|-------|------------------------------------|-----------------------------------|------------|------------------|-------------|
| 1000123-001 | LW23 | 60W | 18-32VDC | 2700K | 40° | Connector | Single bolt |
| 1000123-003 | LW23 | 48W | 18-32VDC | 5700K | 40° | Connector | Single bolt |
| 1000123-004 | LW23 | 35W | 18-32VDC | 5700K | 40° | Connector | Single bolt |
| 1000123-005 | LW23 | 35W | 18-32VDC | 5700K | 15° | Connector | Single bolt |
| 1000123-006 | LW23 | 18W | 18-32VDC | 5700K | 40° | Connector | Single bolt |
| 1000123-007 | LW23 | 18W | 18-32VDC | 5700K | 15° | Connector | Single bolt |
| 1000123-009 | LW23 | 60W | 18-32VDC | 5700K | 40° | Connector | Single bolt |
| 1000123-010 | LW23 | 60W | 18-32VDC | 5700K | 15° | Connector | Single bolt |
| 1000123-011 | LW23 | 60W | 18-32VDC | 2700K | 15° | Connector | Single bolt |
| 1000123-012 | LW23 | 60W | 220-240VAC | 5700K | 40° | 2m lead wire | Single bolt |
| 1000123-013 | LW23 | 35W | 18-32VDC | 5700K | 40° | built-in Deutsch | Single bolt |
| 1000123-014 | LW23 | 35W | 18-32VDC | 5700K | 15° | built-in Deutsch | Single bolt |
| 1000123-015 | LW23 | 35W | 18-32VDC | 5700K | 40° | built-in Deutsch | Single bolt |
| 1000123-016 | LW23 | 35W | 18-32VDC | 5700K | 15 | built-in Deutsch | Single bolt |
| 1000123-017 | LW23 | 60W | 18-32VDC automobile electronics | 5700K (automobile electronics) | 40° | Connector | Single bolt |

Thanks for choosing our products, NANHUA Electronics is the professional brand of signal transmission and high quality industrial lighting which is trusted and loved by global users from various industries. Read and understand these instructions completely and carefully. Wrong installation and operation may lead to fires, electric shock, and others. Due to our continued efforts to improve our products, product specifications are subject to change without notice.

©NANHUA Electronics Co., Ltd. All rights reserved. www.nanhua.com