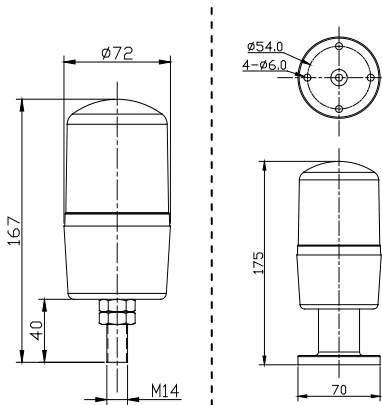


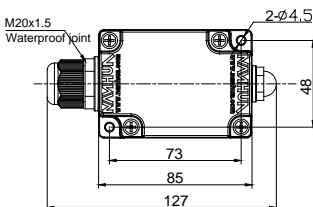


Mounting dimension ( unit: mm )

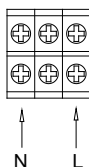


Flange mounting Screw mounting

Junction box mounting dimension



Junction box wiring diagram



### Applications:

Give eye-catching visual alarms for mechanical engineering (overhead cranes, crawler crane and RTG etc). port machinery (gantry cranes and bridge cranes etc)

### Main functions and features:

- Super brightness
- High efficiency
- Low power consumption
- Low heat
- External long life
- Stability

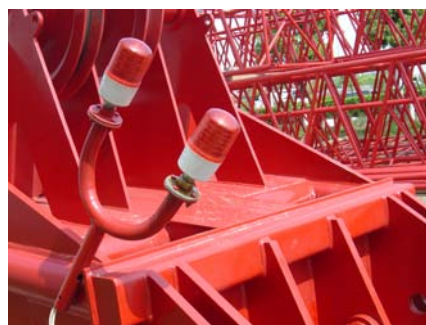
### Specifications:

Operating voltage	AC110V~AC240V/AC380V/ AC48V/DC18V-DC32V/DC48V (other voltage available)		
Frequency	50Hz~60Hz	LED life	$\geq 100,000$ hrs
Power consumption	<5W	Visible distance	$\geq 200$ m
Color	Red, yellow, green or blue,white(optional)	External cable	1m (other length available )
Working	DC or AC: steady burning or flashing mode, with optional photocell function (on/off level: 70/100lux)		
Ambient temperature	-30°C ~ +70°C	IP Protection	IP65
Relative humidity	10% ~ 95% (no condensing )	Material	Base: ABS housing: PC
Weight	0.3Kg		

### Installation and operations:

- Check whether the supply voltage complies with operating voltage of the bulb.
- Screw mounting: the bulb has M14 screw, bolt, and nut: it is suggested that insert M14 screw into  $\phi 15$  mounting hole and then tighten it by nut.(optional)  
Flange mounting: the bulb with flange base(optional)
- Mount the bulb on a surface according to the left mounting dimension, and make sure themounting surface reliable. Connect the power cable to the bulb external cable after mounting.
- If the bulb works under DC power supply, connect external cable(red) to the positive for power supply, and black to the negative.
- Power on after check of connecting and the light starts to work

### Application



### Notice:

- The part of material of products is PC( like lamp cover and lamp shell ), so it cannot direct or indirect touch the organic solvent, such as industrial alcohol, banana oil, isopropyl alcohol, carbon tetrachloride, cyclohexanone and so on, otherwise, the product will be corrosion.