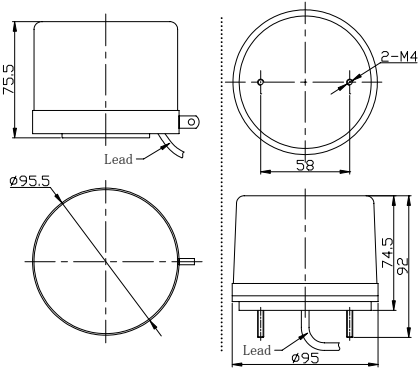




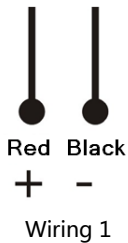
Mounting dimension (Unit : mm)



Magnetic mounting

Bolt-mounting

Wiring diagram



1 red- -DC24V+ 2 black- -DC24V-
Wiring 2

Application



Application

Can be used for a variety of lifting equipment, construction vehicles, workplace like road signs, noisy or poor visibility place.

Major functions and features

- LED lamp body warning, long-life, energy-saving, work stable.
- New appearance design, corrosion resistance, strong shockproof, anti-UV.
- Light weight, waterproof, shockproof, durable, easy mounting and maintenance.
- Various mounting ways are optional, magnetic or bolt, or customized.
- Various wiring ways are optional, Direct wiring or connector, or customized

Specifications

voltage	DC12V/DC24V (optional)	Power	<5W
warning	Flash/steady burning	Light source	LED
color	red/yellow (optional , special color can be customized)	Humidity	10% ~ 95% (no condensing)
Temperature	-20°C ~ +60°C	IP protection	IP65
Working humidity	10% ~ 95% (no condensing)	Weight	0.5Kg
Material	Housing : PC		

Mounting & operation

- Make sure input power same as light rated voltage
- For the magnetic mounting, the mounting surface should have enough strength to hold the device. For the bolt mounting, use 2xM4 bolts and nuts to fix the installation.
- For using the mounting plate to install this product, using 4xM4 screws to fix it, the mounting surface should be smooth and have enough mechanical strength
- This light use of low-voltage power supply, wiring the device base on "wiring diagram"

Notice

- Please use the product strictly in accordance with the instruction above.
- Connect cables in the right way, do not short cut.
- If there are any questions when, please contact us.

Customized mounting way.

