

LM5AB-D-IR Medium Intensity Obstruction Light,
Type A+B
1000539_010

Product Description

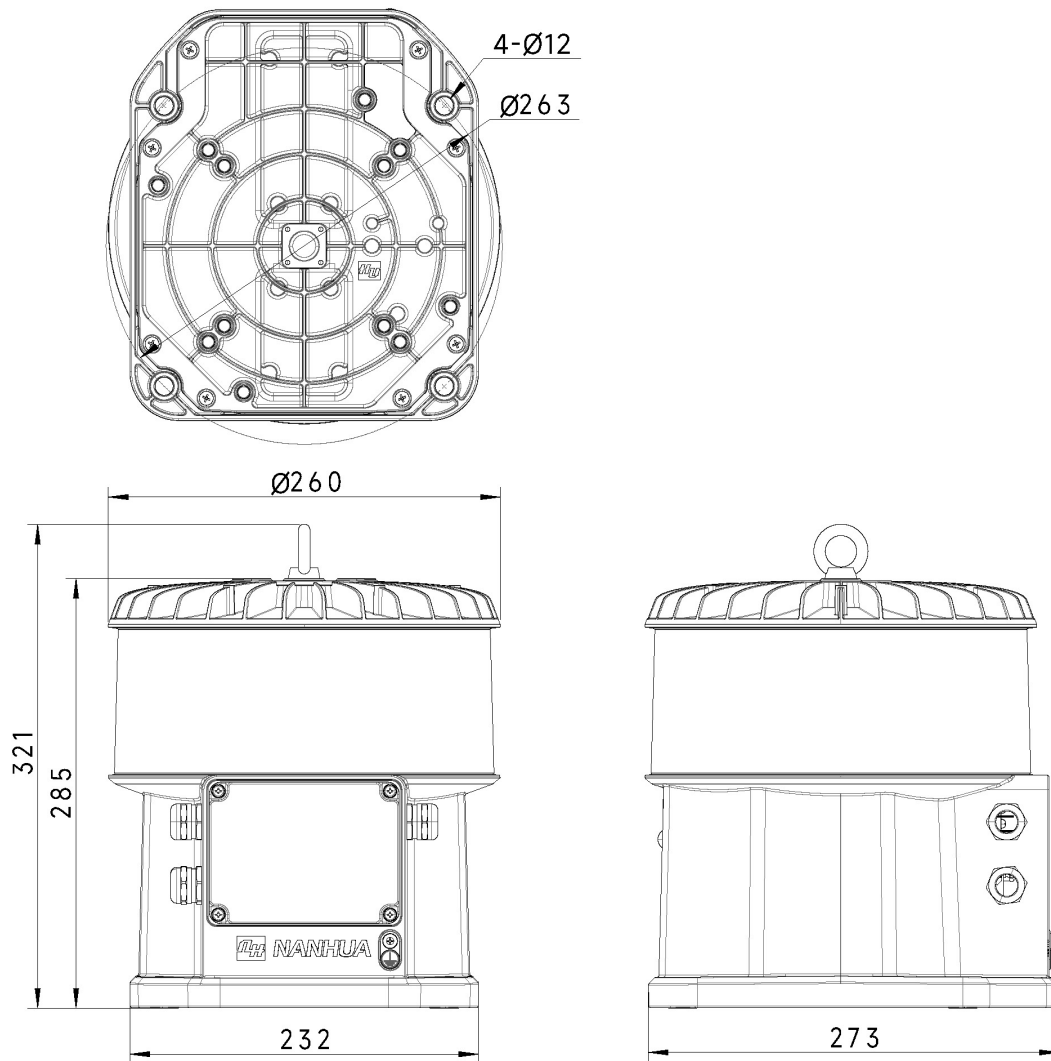
LM5 series is a medium intensity obstruction light, type A/B, designed to mark tall structures that ensure aviation safety. It adopts a working mode of white flash during the daytime and red flash+Infra-Red at night, and combines advanced LED, optical and system control technologies to meet the most demanding applications. The product is typically used on structures between 105 meters and 150 meters above ground level, such as telecommunication towers, chimneys, high-rise buildings, bridges and wind turbines.



Product Features

- Aluminum alloy housing, with the yellow electrostatic powder-coated surface, for better vibration resistance and corrosion resistance;
- High and low-temperature resistant PC lens provides UV and impact resistance; Flammability level: UL94V-2;
- High-efficiency LED light source, energy saving and environmental protection, long lifespan;
- Professional EMC design;
- A wind load of more than 240km/h;
- Automatic daytime/night switch by Photocell control;
- With fault alarm inspection and fault alarm output;
- With GPS synchronization;
- With RS485 communication.





Electrical	
Operating voltage	48VDC
Peak power consumption	700W
Average power consumption	Daytime 64W@60FPM
	Daytime 42W@40FPM
	Daytime 32W@30FPM
	Daytime 22W@20FPM
	Night 20W@40FPM
Communication mode	RS485
Fault alarm	Dry contact @ NO or NC optional
Wiring	Cable gland
EMC	IEC61000-4-2
	Contact Discharge:±8kV,Air Discharge:±15kV
	IEC61000-4-5
	Line-Line:±6kV Line-G:±6kV

Mechanical	
Housing color	Yellow
Housing material	Aluminium alloy
Cover material	PC
Surface finishing	Polyester coating
Weight	9kg
Mounting	Surface mount
Operating temperature	-40°C ~ +55°C
Storage temperature	-40°C ~ +70°C
Operating humidity	0 ~ 95%RH
IP rate	IEC60529 IP66
Salt spray rate	ISO9227 NSS 1440h

Photometric	
Light source	LED
Working state	Flashing
Flash rate	Daytime/Twilight:20/30/40/60FPM Night:20/30/40/60FPM Default 40FPM
Flash duration	Daytime/Twilight:95ms Night:670ms
Light color	Daytime/Twilight:White Night:Red+IR
Effective intensity	Daytime/Twilight:≥20000cd Night:≥2000cd
Vertical Beam Spread	≥3°
Horizontal beam spread	360°
LEDs lifetime	≥100,000h
On/off Level	50-100lux